

Delo® Bumper-to-Bumper Protection for Agricultural Equipment



Engine Crankcase

- Delo® 400 LE SAE 15W-40
- Delo® 400 MGX SAE 15W-40
- Delo® Gold Ultra SAE 15W-40
- Super Tractor SAE 15W-40
- Delo® 400 SDE SAE 15W-40
- Delo® 400 XLE Synblend SAE 10W-30



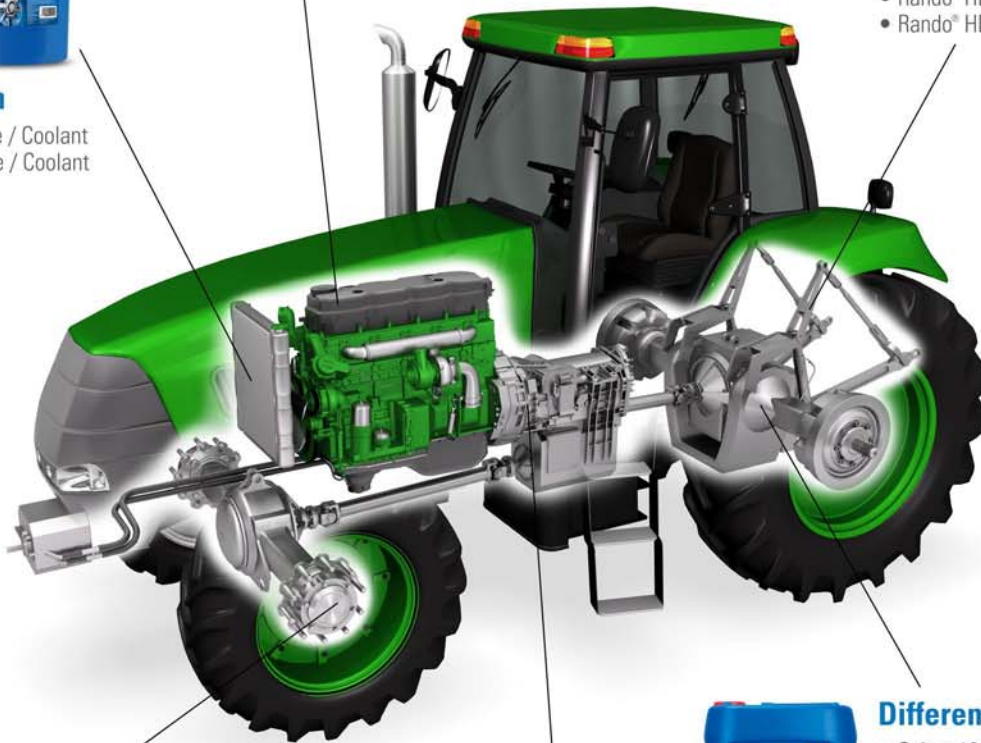
Hydraulic System

- Caltex 1000 THF
(For units with common THF reservoirs)
- Rando® HDZ
- Rando® HD



Coolant System

- Delo® ELC Antifreeze / Coolant
- Delo® XLC Antifreeze / Coolant



Bearings

- Delo® Grease ESI®
- Delo® Starplex® EP 2



Differentials & Gear Drives

- Caltex 1000 THF
(For units with common THF reservoirs)
- Delo® TorqForce SAE 50 (CAT TO-4)
- Delo® Syn-Gear XDM SAE 75W-90 (API GL-5/MT-1)
- Delo® Gear ESI SAE 80W-90 (API GL-5/MT-1)



Transmissions (Manual & Automatic)

- Caltex 1000 THF
(For units with common THF reservoirs)
- Delo® TorqForce SAE 30
(For TO-4 or Allison C4 Fluid Requirements)

The product recommendations provide general guidelines for use in agricultural. All manufacturers have different coolant and lubricant requirements and recommendations. It will be important to contact a Caltex representative at 0800 733 835 or refer to the Original Equipment Manufacturer manual to confirm the proper product is used for the application.

A Chevron company product ©2018 Chevron New Zealand. All rights reserved. All trademarks are property of Chevron Intellectual Property LLC.